

A.O. SMITH ELECTRICAL PRODUCTS COMPANY

A DIVISION OF A. O. SMITH CORPORATION



HVAC/R PRODUCT ANNOUNCEMENT

**“Breakthrough Motor Design Offers Huge Energy Savings
For The Refrigeration Market”**

NEW!

Stock No. **9207**



**Direct Drop-in
Replacement for
supermarket case
evaporator fans**

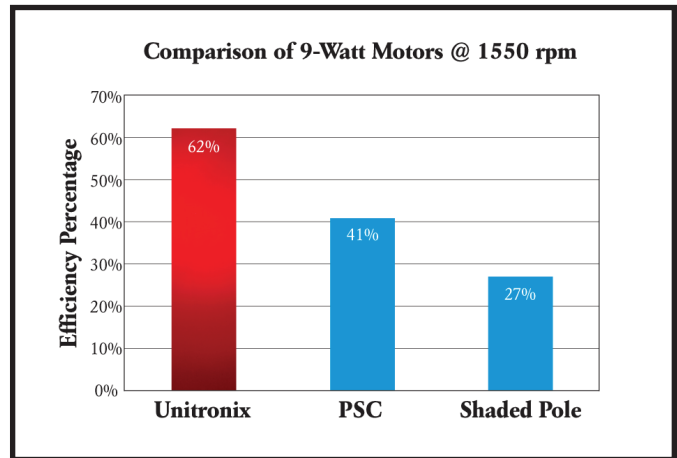
3-in-1™

Replaces 6, 9, 12 watt PSC & low
efficiency shaded pole motors

Features:

- ✓ Advanced ECM Design
- ✓ Rain Shield
- ✓ Cast Iron
- ✓ 13” Leads
- ✓ Lyall Plug
- ✓ UL approved E128044
- ✓ Exceeds 60% Efficiency
- ✓ Low Temperature Oil

(Energy Savings ECM Design)



Stock No.	Watts	Volts	Amps	ROT OSE	RPM
9207	6, 9, 12	115	.2 - .3	CW	1550

1-6200 Dixie Road
Mississauga, Ontario
L5T 2E1

UNIVERSAL ELECTRIC MOTORS

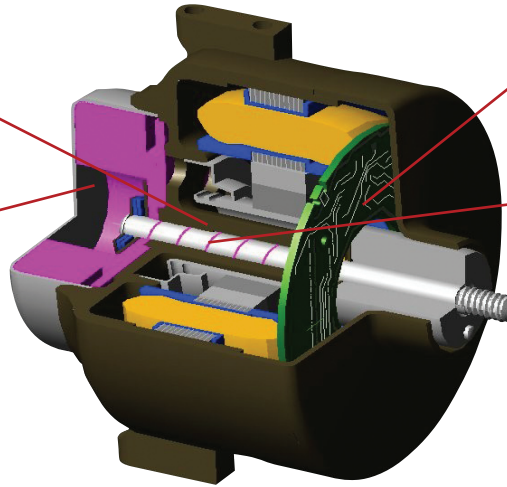
(905) 670-3380
Fax: (905) 670-7637
www.uem.ca

Evaporator Fan Replacement For Hussman, Hill & Kysor

Stock No. 9207

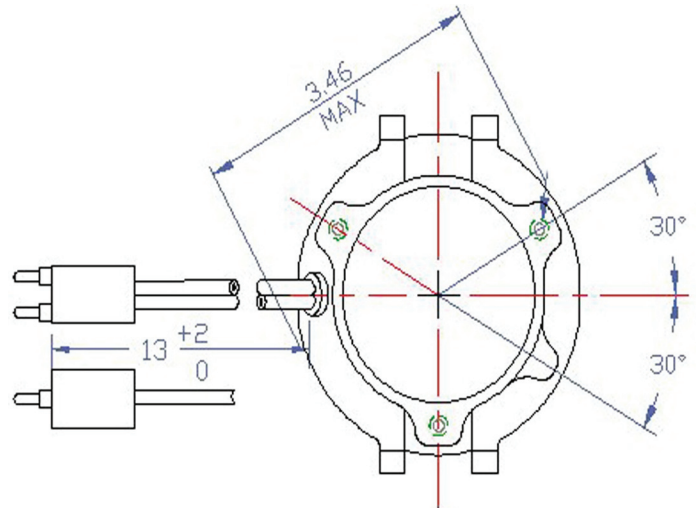
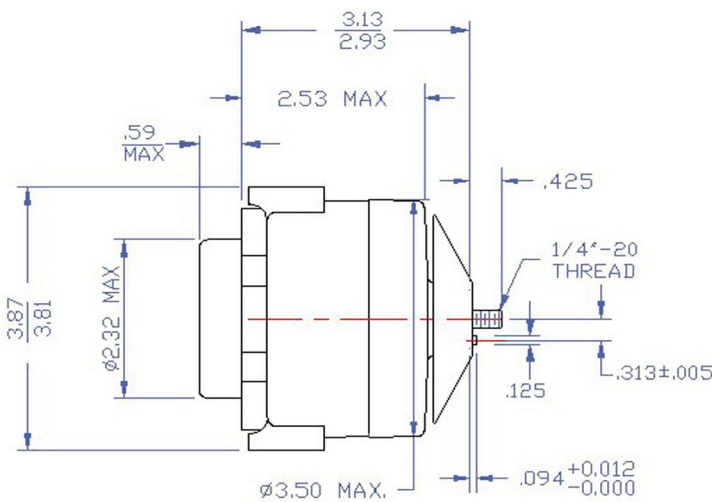
Cast iron bearing and housing for long life and reliability

High capacity oil reservoir continuously supplies cooled, filtered oil thru the bearing.



Electronic control board

Spiral grooved shaft is the heart of the positive pumping system, assuring thick film lubrication for extended bearing life.



"The Unitronix refrigeration motor uses less wattage to achieve the same airflow as a shaded pole motor, so it produces less heat. Fewer BTU's in the system means less work and wear for the compressor for even greater savings."

Annual KWH Savings For a Typical 9W Motor

Motor Output	Shaded Pole Watts In	Unitronix Watts In	Annual KWH Saved
9 Watts	51.8	17.7	298.7



Unitronix is a trademark of Electric Motors & Specialties, Inc.