



Formerly A. O. Smith Electrical Products Company  
A Regal Brand

# Green Choice<sup>®</sup> Eco-Friendly Electric Motors for Refrigeration Applications



# iMotor® Supermarket Case Evaporator Fan Motor

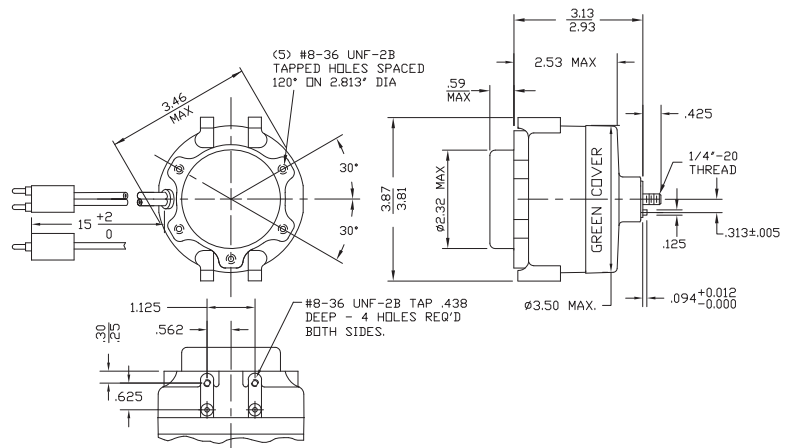
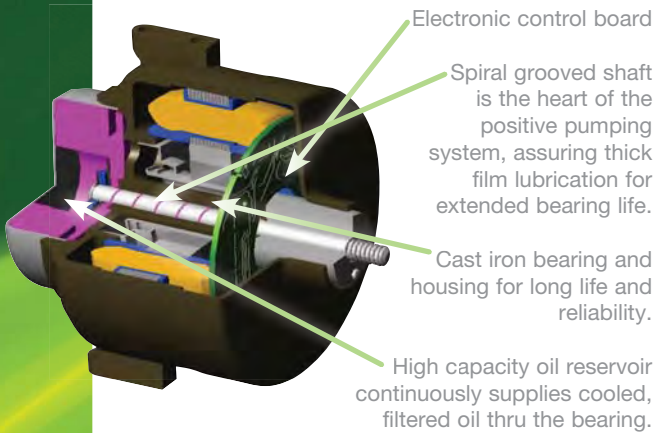
Direct Drop-In Replacement

## Features:

- Advanced ECM Design
- Cast Iron
- 15" Leads
- Lyall Plug
- UL/CUL approved E128044
- Up to 65% Efficiency
- Wide temperature range oil for use in evaporators and condensers
- Tapped & Drilled Mounting Holes
  - Evaporator Mount
    - Standard 3-hole
    - Hussmann 4-hole style
  - Condenser Mount-Double Boss



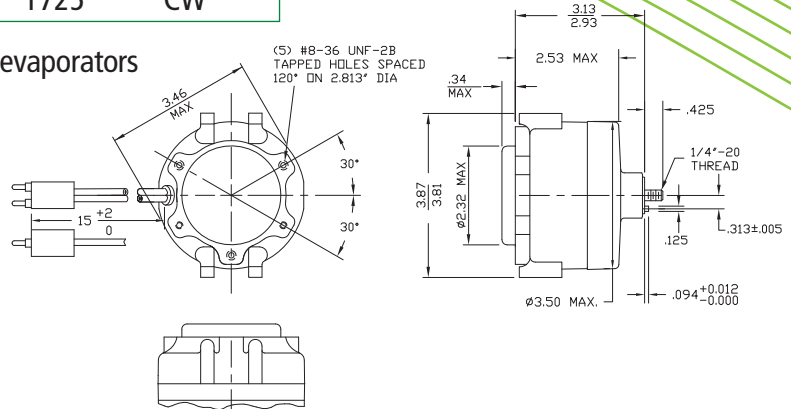
| Stock No.     | Watts    | Volts | Amps    | RPM  | ROT OSE |
|---------------|----------|-------|---------|------|---------|
| <b>9207F2</b> | 6,9,12   | 115   | .20/.30 | 1550 | CW      |
| <b>9208F2</b> | 14,15,16 | 115   | .47/.58 | 1550 | CW      |



## Hussmann Replaces: 4410547, 441-547

| Stock No.   | Watts | Volts | Amps | RPM  | ROT OSE |
|-------------|-------|-------|------|------|---------|
| <b>9211</b> | 13    | 115   | .47  | 1725 | CW      |

- Special shorter body length to fit Hussmann evaporators
- Low temperature oil for use in evaporators

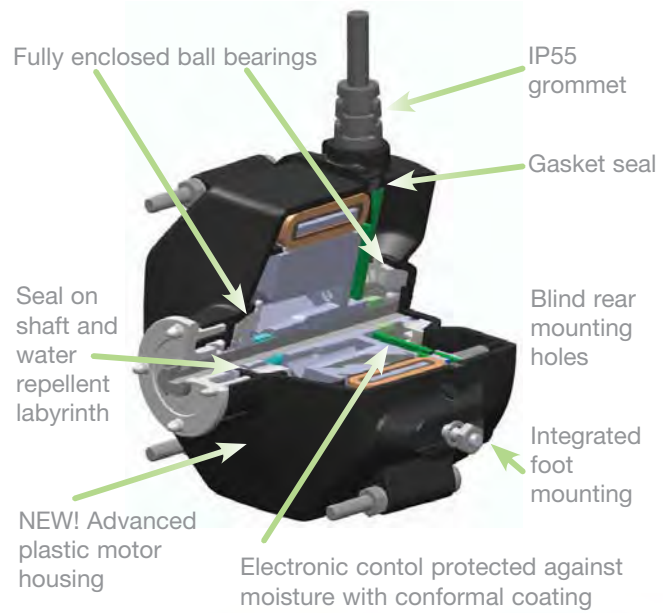


# iMotor<sup>®</sup> Supermarket Case Evaporator Fan Motor

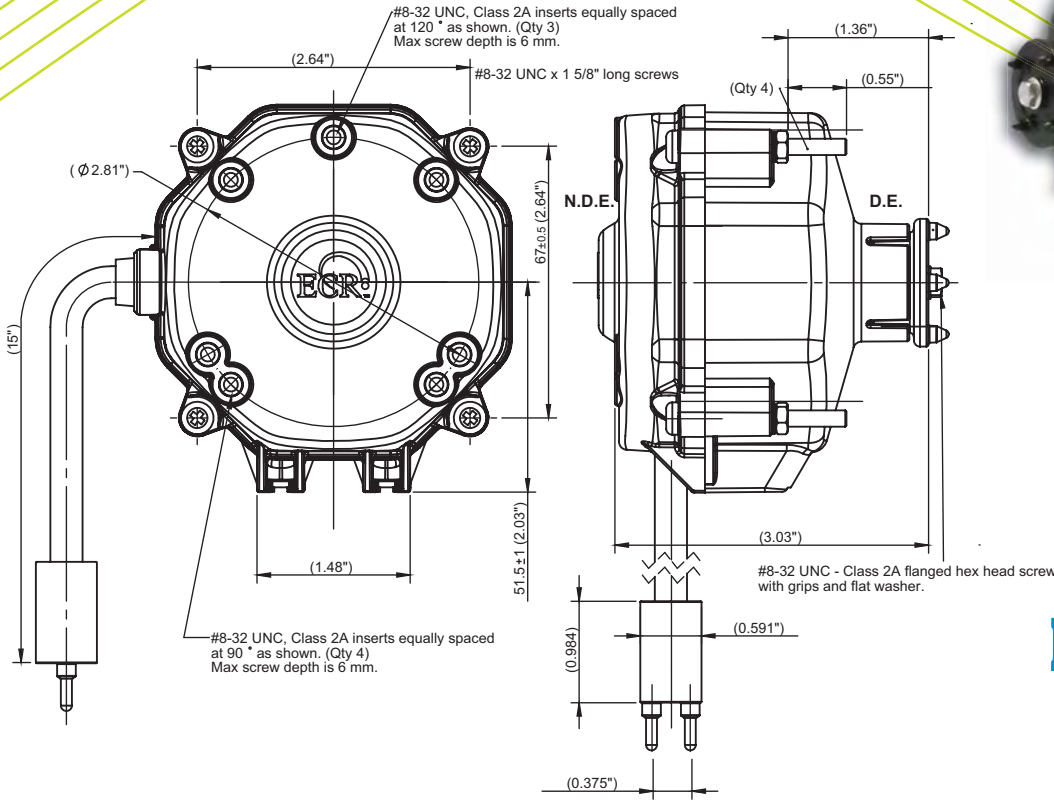
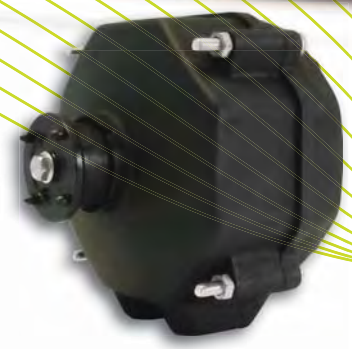
Direct Drop-In Replacement

## Features:

- ECM, with integrated electronic control
- Uses 70% less energy than shaded pole motors
- -22°F to 122°F Operating temperature
- IP55 moisture and dust protection
- Ball bearing
- Plastic motor housing
- Evaporator mounting
  - Standard 3-hole
  - Hussmann 4-hole style
- 15" Leads
- Lyall plug
- UL/CUL approved



| Stock No. | Watts    | Volts | Amps | RPM  | ROT | OSE |
|-----------|----------|-------|------|------|-----|-----|
| 9212      | 6,9,12   | 115   | .31  | 1550 | CW  |     |
| 9213      | 14,15,16 | 115   | .41  | 1550 | CW  |     |



# iMotor® Walk-In Cooler Evaporator Fan Motor

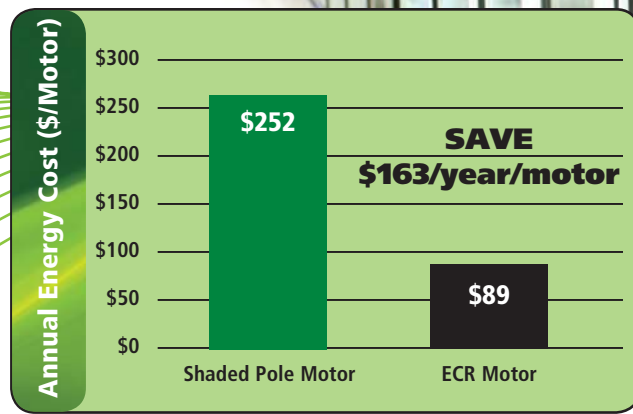
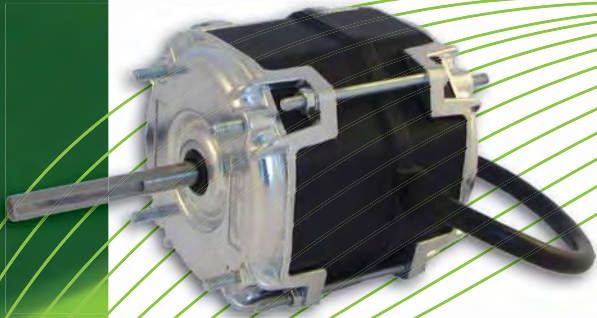
Direct Drop-In Replacement

Heatcraft Replacement Motors - Bohn, Chandler, Climate Control and Larkin

## Features:

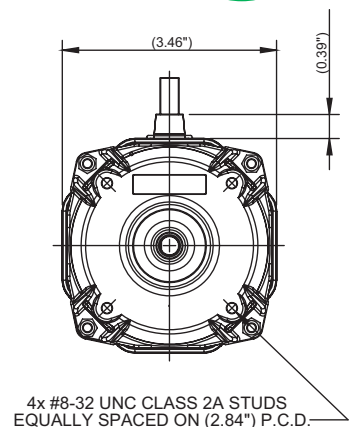
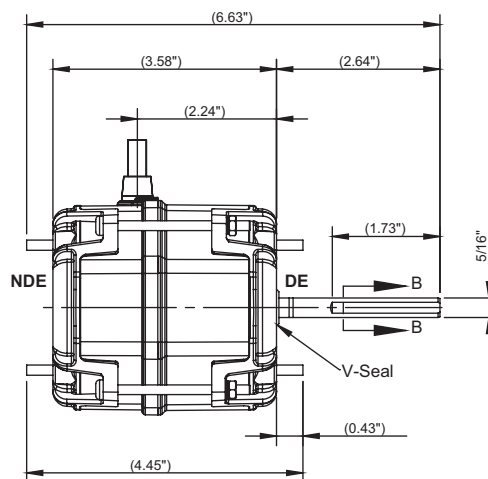
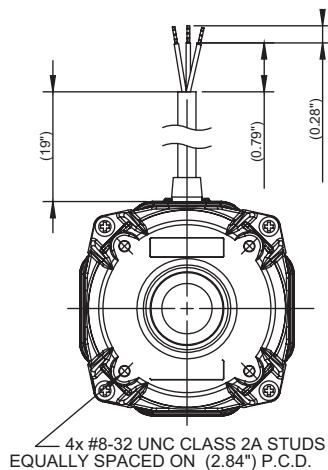
- ECM, with integrated electronic control
- Energy savings of ~ 65%
- -22°F to +104°F Operating temperature
- IP55 moisture and dust protection
- Ball bearing
- Plastic motor body and plastic components
- All-angle mount
  - 4 studs on each end
- 20" Leads
- UL/CUL approved

**NEW!**



| Stock No.    | HP               | Volts   | Amps | RPM  | Hertz | Rotation   |
|--------------|------------------|---------|------|------|-------|------------|
| <b>9214L</b> | 1/15, 1/20, 1/25 | 115     | 1.3  | 1550 | 60    | Reversible |
| <b>9214H</b> | 1/15, 1/20, 1/25 | 208-230 | .63  | 1550 | 60/50 | Reversible |

Replaces 1/15, 1/20, 1/25 HP PSC and low efficient shaded pole designs



# iMotor® Walk-In Cooler Evaporator Fan Motor

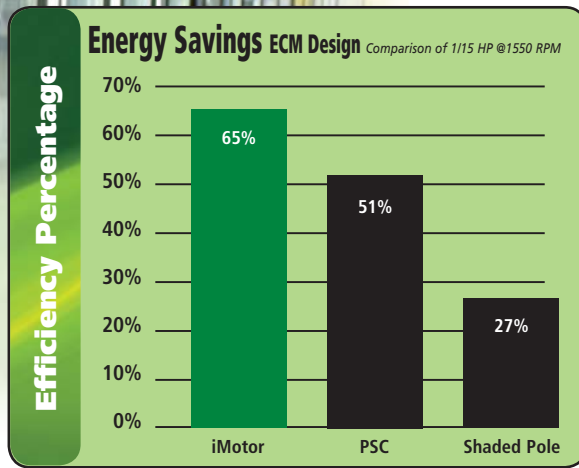
Direct Drop-In Replacement

Heatcraft Replacement Motors - Bohn, Chandler, Climate Control and Larkin

**NEW!**

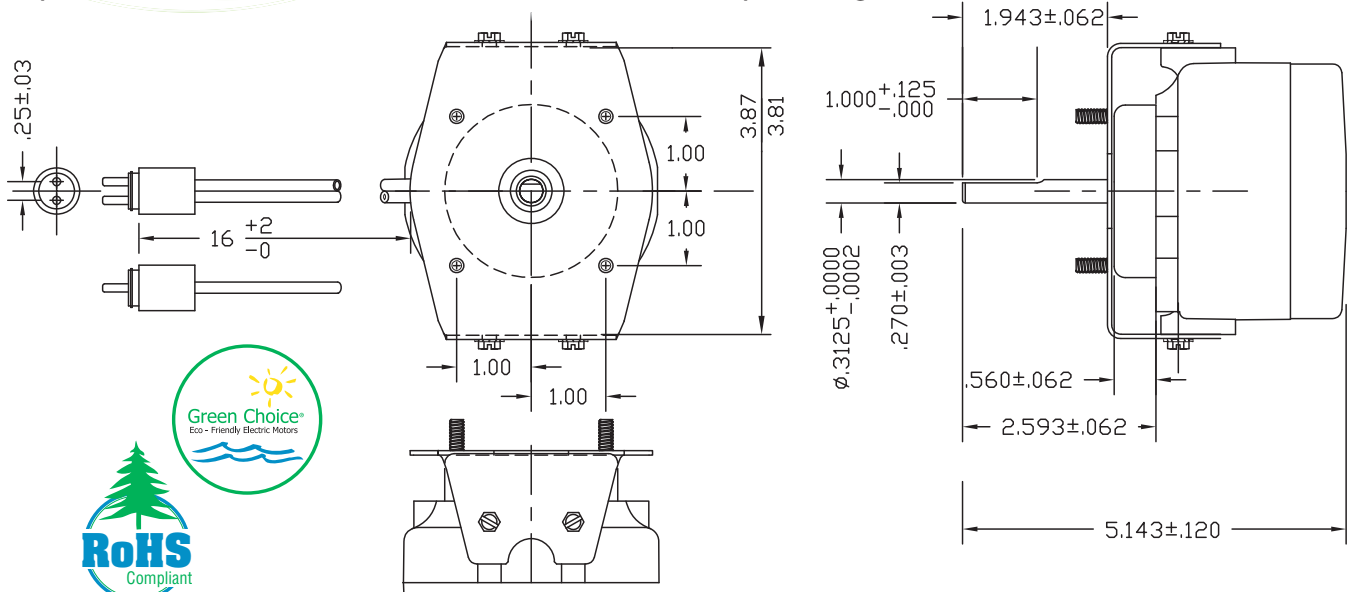
## Features:

- Advanced ECM design
- Up to 65% efficiency
- -20°F to +104°F Operating temperature
- All-angle mount
  - 4 studs shaft end
- Unit bearing
- Cast iron
- 16" Leads
- Lyall plug
- UL/CUL approved E128044



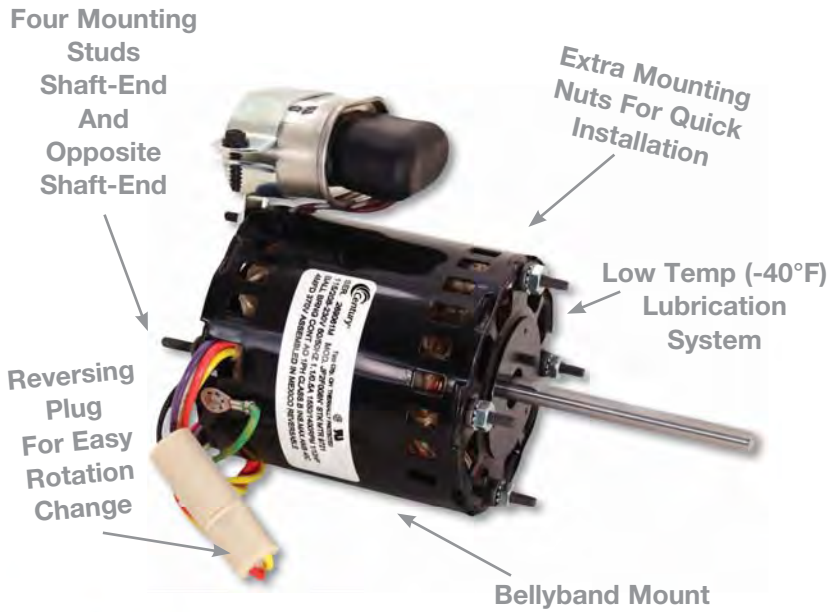
| Stock No.    | HP               | Volts | Amps | RPM  | Hertz | Rotation | OSE |
|--------------|------------------|-------|------|------|-------|----------|-----|
| <b>9209L</b> | 1/15, 1/20, 1/25 | 115   | 1.25 | 1550 | 60    | CCW      |     |
| <b>9210L</b> | 1/15, 1/20, 1/25 | 115   | 1.25 | 1550 | 60    | CW       |     |
| <b>9209H</b> | 1/15, 1/20, 1/25 | 230   | .77  | 1550 | 60    | CCW      |     |
| <b>9210H</b> | 1/15, 1/20, 1/25 | 230   | .77  | 1550 | 60    | CW       |     |

Replaces 1/15, 1/20, 1/25 HP PSC and low efficient shaded pole designs

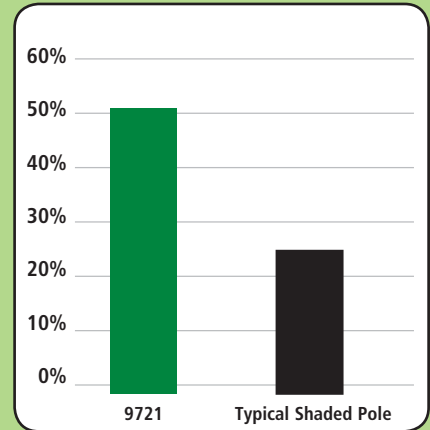


# 3-in-1™ Walk-In Cooler Evaporator Fan Motor

Heatcraft Replacement Motors - Bohn, Chandler, Climate Control and Larkin



**50% More Efficient**  
than Shaded Pole Motors



*Use of a permanent split capacitor design allows the motor to deliver more power, while producing less waste heat than a shaded pole design.*

## Features:

- Permanent split capacitor
- Low temperature oil for use in evaporators
- All angle mounting
  - Four studs on each end
  - Bellyband mount
- Reversing plug
- Easy-to-read connection diagram attached to white lead wire
- 20" Leads
- Ball bearing
- 3.3" Frame
- Class B Insulation
- 40°C Ambient
- UL and CSA Recognized



| Stock No.   | HP               | Volts       | Amps    | RPM  | Speed | Hertz | Rotation   |
|-------------|------------------|-------------|---------|------|-------|-------|------------|
| <b>9721</b> | 1/12, 1/15, 1/20 | 115/208-230 | 1.1/0.5 | 1550 | 1     | 60/50 | Reversible |

Replaces 1/12, 1/15, 1/20 HP operating at 115, 208 or 230 volts PSC and low efficient shaded pole designs

# JuggerNaut® Condenser Fan Motor

## Features:

- Inverter duty
- Removable 56H rigid base
- VCM™ - Voltage Change Module
- 70°C (158°F) max ambient
- Class F moisture resistant insulation
- Automatic overload protector
- Large water slinger
- Double sealed ball bearings
- Positioning lugs for easy belly-band mounting
- Energy-efficient three phase design
- Conductive bearing grease for inverter applications
- Quick connect design
- Shaft up mounting



**When you need  
a motor that can  
handle the severe  
demands that  
inverters create,  
look no further than  
JuggerNaut®**

- UL and CSA recognized Class F insulation for 70°C (158°F) max ambient conditions provides longer motor life.
- Inverter Duty Rated to be Corona Free with conductive bearing grease for reliable use with today's inverters.
- Voltage Change Module (VCM)™ – Our own quick connect voltage change device makes voltage changes quick and easy.
- Easy to remove 56H rigid base provides maximum mounting versatility and reduces inventory.
- JuggerNaut condenser fan motors are available in 1 HP, 1.5 HP and 2 HP at 1140 RPM and 1 HP and 1.5 HP at 850 RPM. All are three phase and 460/208-230 volt.



**Class F Insulation**

**Inverter Duty**

**Removable Rigid Base**

**VCM™**

**Many retailers are now retrofitting inverters to their existing A/C and refrigeration equipment to save energy, only to discover that the OEM motors do not hold up to the strain that inverters place on them.**  
**–JuggerNaut Inverter Duty motors are the solution!**

### Class F Insulation - 70°C (158°F) Max Ambient

| Stock No.    | HP  | Volts       | Amps        | RPM  | Speeds | Frame Size | Rotation   | Type        | Bearings | "C" Dim. | Shaft       | Wt. (lbs) |
|--------------|-----|-------------|-------------|------|--------|------------|------------|-------------|----------|----------|-------------|-----------|
| <b>H1050</b> | 1.0 | 460/208-230 | 2.2/4.0-4.4 | 1140 | 1      | 56H        | Reversible | Three Phase | Ball     | 16.63    | 5/8" x 6.0" | 29        |
| <b>H1051</b> | 1.5 | 460/208-230 | 2.9/5.8-5.8 | 1140 | 1      | 56H        | Reversible | Three Phase | Ball     | 17.63    | 5/8" x 6.0" | 38        |
| <b>H1052</b> | 2.0 | 460/208-230 | 3.7/7.0-7.4 | 1140 | 1      | 56H        | Reversible | Three Phase | Ball     | 18.63    | 5/8" x 6.0" | 45        |
| <b>H1053</b> | 1.0 | 460/208-230 | 2.6/5.0-5.2 | 850  | 1      | 56H        | Reversible | Three Phase | Ball     | 18.63    | 5/8" x 6.0" | 45        |
| <b>H1054</b> | 1.5 | 460/208-230 | 3.6/6.7-7.2 | 850  | 1      | 56H        | Reversible | Three Phase | Ball     | 18.63    | 5/8" x 6.0" | 45        |

**Note:** It is the responsibility of the installer to properly adjust the drive to the motor for the specific application. The correct volts/Hz settings are application specific and unique to each motor. Failure to perform proper set up can lead to substandard performance and /or premature failure of the system components.

| Mfg Part No. | Century Stock No.  | Mfg Part No. | Century Stock No.  | Mfg Part No.   | Century Stock No. |
|--------------|--------------------|--------------|--------------------|----------------|-------------------|
| 050-0241-0   | 9207F2, 9212       | 8987         | H1052              | SP-6L          | 9207F2, 9212      |
| 108          | 9207F2, 9212       | 8987V        | H1052              | SP-6S          | 9207F2, 9212      |
| 111147       | H1050              | 9650         | 9209H, 9214H, 9721 | SP-A4EV1       | 9207F2, 9212      |
| 111148       | H1051              | 9651         | 9209L, 9214L, 9721 | SP-A4L1        | 9207F2, 9212      |
| 112          | 9208F2, 9213       | 9652         | 9210H, 9214H, 9721 | SP-B505SE191-C | 9207F2, 9212      |
| 115778       | H1050              | 9653         | 9210L, 9214L, 9721 | SP-B505SE19-C1 | 9207F2, 9212      |
| 115779       | H1051              | 9656         | 9721               | SP-B5SE16      | 9207F2, 9212      |
| 117          | 9207F2, 9212       | 9664         | 9721               | SP-B6E1        | 9207F2, 921       |
| 12-1575-01   | 9207F2, 9212       | AA11         | 9207F2, 9212       | SP-B6EM1       | 9207F2, 9212      |
| 12-1576-02   | 9207F2, 9212       | AA13         | 9207F2, 9212       | SP-B6EM19      | 9207F2, 9212      |
| 15244L       | 9207F2, 9212       | AA17         | 9208F2, 9213       | SP-B6EV101     | 9207F2, 9212      |
| 1818         | H1050              | AJ4H136J     | 9207F2, 9212       | SP-B6HCEM1     | 9207F2, 9212      |
| 1818V        | H1050              | AK4H136J     | 9207F2, 9212       | SP-B6L1        | 9207F2, 9212      |
| 1819         | H1051              | AM4109J      | 9207F2, 9212       | SP-B6M1        | 9207F2, 9212      |
| 1819V        | H1051              | AM4207J      | 9207F2, 9212       | SP-B6PEM1      | 9207F2, 9212      |
| 1820         | H1050              | AM4K17J      | 9207F2, 9212       | SP-B6S1        | 9207F2, 9212      |
| 1820V        | H1050              | CFM3156A     | H1050              | SP-B6SE1       | 9207F2, 9212      |
| 1821         | H1051              | CFM3166A     | H1051              | SP-B6SE19      | 9207F2, 9212      |
| 1821V        | H1051              | D1101        | 9210L, 9214L, 9721 | SP-B6SE191-C2  | 9207F2, 9212      |
| 1822         | H1052              | D1103        | 9210H, 9214H, 9721 | SP-B6SE191-C3  | 9207F2, 9212      |
| 1822V        | H1052              | D1122        | 9721               | SP-B9E1        | 9207F2, 9212      |
| 1828         | H1053              | D1123        | 9209H, 9214H, 9721 | SP-B9EG1       | 9207F2, 9212      |
| 1828V        | H1053              | D1124        | 9209L, 9214L, 9721 | SP-B9EM1       | 9207F2, 9212      |
| 2108         | 9207F2, 9212       | D1125        | 9721               | SP-B9EMV1      | 9207F2, 9212      |
| 2112         | 9208F2, 9213       | D1126        | 9209H, 9214H, 9721 | SP-B9HCEM1     | 9207F2, 9212      |
| 2117         | 9207F2, 9212       | D1127        | 9721               | SP-B9L1        | 9207F2, 9212      |
| 243C011H01   | 9207F2, 9212       | D1152        | 9209L, 9214L, 9721 | SP-B9M1        | 9207F2, 9212      |
| 25308601     | 9721               | D1154        | 9721               | SP-B9PEM1      | 9207F2, 9212      |
| 25309101     | 9721               | D189         | 9210H, 9214H, 9721 | SP-B9S1        | 9207F2, 9212      |
| 253-1194     | 9210L, 9214L, 9721 | D425         | 9207F2, 9212       | SP-B9SE1       | 9207F2, 9212      |
| 2531194      | 9210L, 9214L, 9721 | D429         | 9207F2, 9212       | SP-B9SE191-C1  | 9207F2, 9212      |
| 2531195      | 9210L, 9214L, 9721 | D436         | 9208F2, 9213       | SP-BEP9A6564A  | 9207F2, 9212      |
| 253-1196     | 9210H, 9214H, 9721 | D437         | 9208F2, 9213       | UEM1061        | 9207F2, 9212      |
| 332417-001   | 9207F2, 9212       | D441         | 9207F2, 9212       | UEM1061AL      | 9207F2, 9212      |
| 332418-011   | 9207F2, 9212       | D6608        | H1050              | UEM1091        | 9207F2, 9212      |
| 441-547      | 9211               | D6610        | H1051              | UEM1091AL      | 9207F2, 9212      |
| 4410547      | 9211               | FA33HXBN126  | 9207F2, 9212       | UEM1161        | 9208F2, 9213      |
| 5008SS       | 9209L, 9214L, 9721 | HC09DZ115    | 9207F2, 9212       | UTB1CB1551E56  | 9207F2            |
| 5008TS       | 9209H, 9214H, 9721 | MOT 6259     | 9207F2, 9212       | UTB1CB1551E6   | 9207F2            |
| 5034MS       | 9209H, 9214H, 9721 | MOT 6260     | 9207F2, 9212       | UTB1CB1551EB   | 9207F2            |
| 7071061      | 9721               | MOT 6262     | 9208F2, 9213       | UTB1CB1551EM56 | 9207F2            |
| 7163-2113    | 9210L, 9214L, 9721 | P257-5311    | 9207F2, 9212       | UTB1CB1551EM56 | 9208F2            |
| 7163-2135    | 9210H, 9214H, 9721 | P257-5411    | 9207F2, 9212       | UTB1CC151E6    | 9208F2            |
| 7163-3371    | 9210H, 9214H, 9721 | P257-5811    | 9208F2, 9213       | X502           | H1050             |
| 7163-7495    | 9210L, 9214L, 9721 | PD1125       | 9721               | X503           | H1051             |
| 7190-0442    | 9721               | PD1127       | 9721               | X507           | H1053             |
| 7190-2084    | 9721               | RE406        | 9207F2, 9212       | X509           | H1052             |
| 7190-2255    | 9721               | RF108        | 9207F2, 9212       | X513           | H1050             |
| 7190-2285    | 9209H, 9214H, 9721 | RF112        | 9208F2, 9213       | X523           | H1051             |
| 8034LS       | 9209L, 9214L, 9721 | RF117        | 9207F2, 9212       | X525           | H1052             |
| 82506        | 9209L, 9214L, 9721 | SP-6B        | 9207F2, 9212       | X528           | H1053             |
| 82507        | 9209H, 9214H, 9721 | SP-6E        | 9207F2, 9212       | X530           | H1054             |
| 835436001    | 9209H, 9214H, 9721 | SP6L         | 9207F2, 9212       | X531           | H1054             |

See Century Electric Motors Website, Advanced Catalog Search, for additional cross reference:  
[www.centuryelectricmotor.com](http://www.centuryelectricmotor.com)



Universal Electric Motors  
6200 Dixie Road, Unit 1  
Mississauga, Ontario, L5T 2E1  
Tel: (905) 670-3380  
Toll Free: 1-877-670-3380  
Fax: (905) 670-7637 [www.uem.ca](http://www.uem.ca)



A Regal Brand



[www.regalbeloit.com](http://www.regalbeloit.com)