

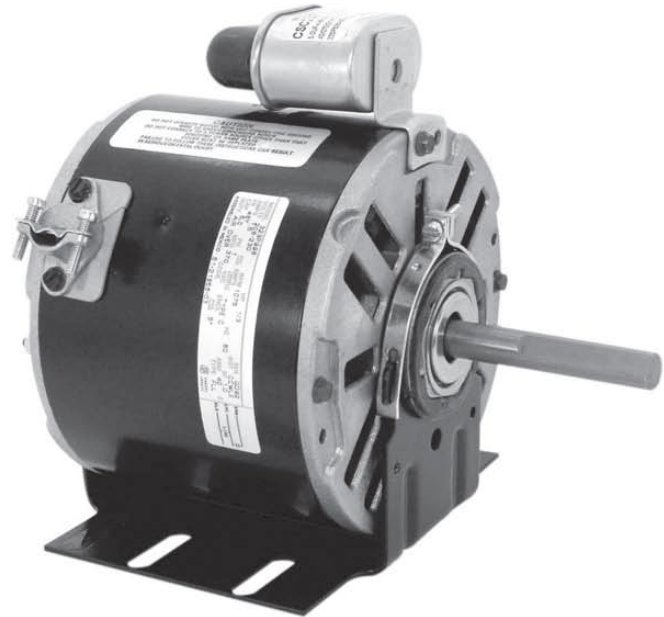
## OEM REPLACEMENT MOTOR "For Hussman"



Stock No. OHS1016

### Features:

- Permanent Split Capacitor
- Capacitor Included
- Sleeve Bearing
- Thermal Protection: Auto
- 60°C Ambient
- Single Phase
- 60 Hertz
- Insulation Class B
- Open, Air Over
- Resilient Base Mounted
- UL and CSA Approved
- See Reverse Side for Outline Drawing



### Replacement for:

- GE 30091
- GE 5KCP39GG3611AS
- Fasco D805

Stock No.	HP	Volts	Amps	RPM	Speeds	Frame	HZ	Rotation	Capacitor	Wt.
OHS1016	1/5	230	1.6	1075	1	48Y	60	CWLE	Furnished	13

**NOW AVAILABLE!**  
**FAX OR PHONE YOUR ORDER TODAY!**



Universal Electric Motors  
6200 Dixie Road, Unit 1  
Mississauga, Ontario, L5T 2E1  
Tel: (905) 670-3380  
Toll Free: 1-877-670-3380  
Fax: (905) 670-7637 www.uem.ca

A Regal Brand

**REGAL**

# DEM REPLACEMENT FOR HUSSMAN

Stock No. OHS1016

CW  
ROT.

