

“Another Motor Design to Offer Huge Energy Savings for The Refrigeration Market”

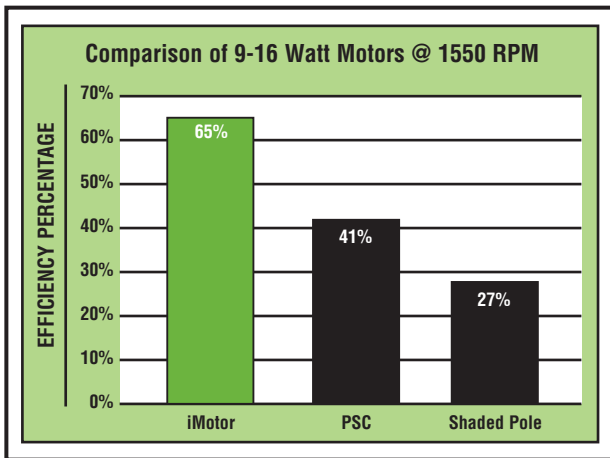


13 WATT

Replaces Hussmann motor

Stock No. 9211

(Energy Savings ECM Design)



HUSSMANN Replacement Motor

Direct Drop-in Replacement

for Hussmann ECM motor

(Cross Ref: 4410547, 441-547)

Features

- ✓ Advanced ECM Design
- ✓ Rain Shield
- ✓ Cast Iron
- ✓ 15” Leads
- ✓ Lyall Plug
- ✓ UL/CUL Approved E128044
- ✓ Up to 65% Efficiency
- ✓ Low temperature range oil for use in evaporators
- ✓ 5 Tapped & Drilled Rear Mounting Holes
- ✓ Special shorter body length to fit Hussmann evaporators



Stock No.	Watts	Volts	Amps	ROT OSE	RPM
9211	13	115	.47	CW	1725

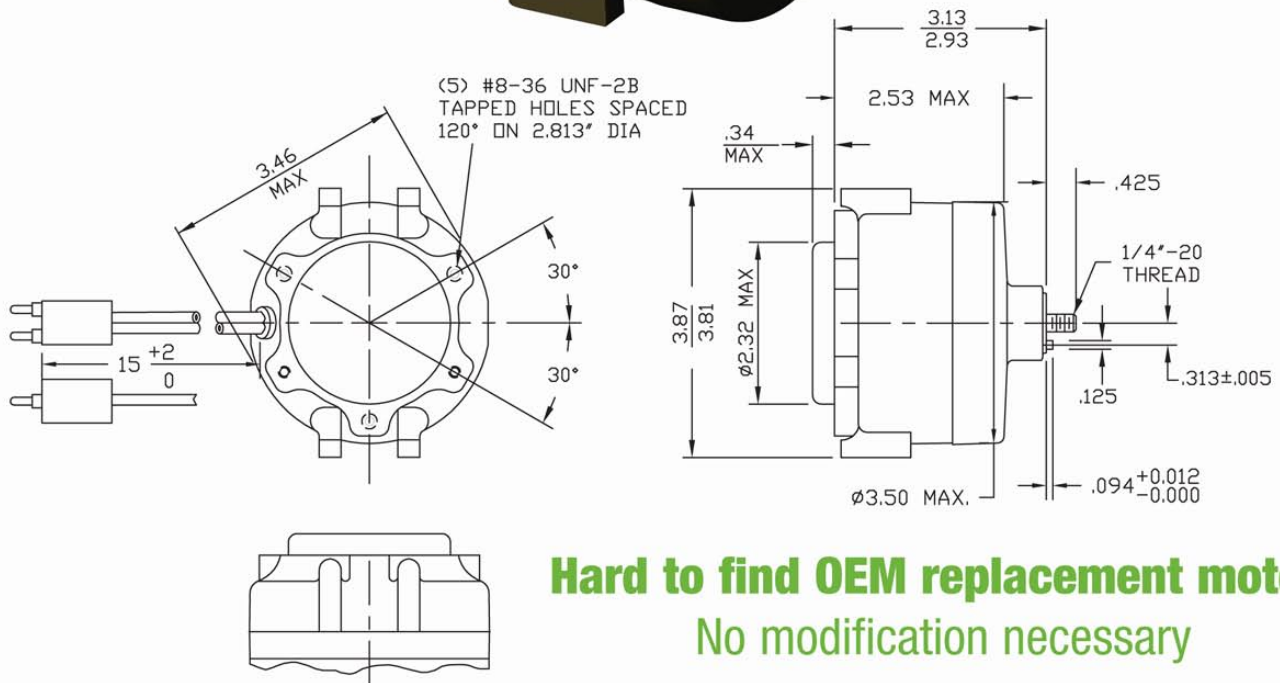
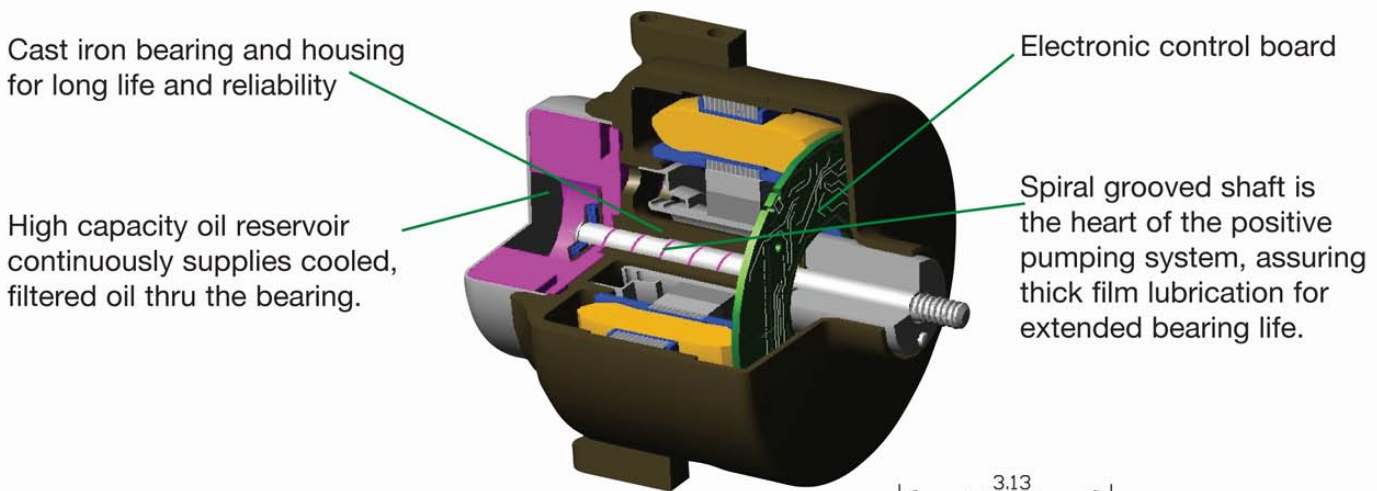


A Regal Brand



Evaporator Fan Replacement For Hussmann

Stock No. 9211



"The iMotor refrigeration motor uses less wattage to achieve the same airflow as a shaded pole motor, so it produces less heat. Fewer BTU's in the system means less work and wear for the compressor for even greater savings."

Annual KWH Savings For a Typical 13W Motor

Motor Output	Shaded Pole Watts In	iMotor Watts In	Annual KWH Saved
13 Watts	52	23	254



Universal Electric Motors
6200 Dixie Road, Unit 1
Mississauga, Ontario, L5T 2E1
Tel: (905) 670-3380
Toll Free: 1-877-670-3380
Fax: (905) 670-7637 www.uem.ca

A Regal Brand

