

New Product Notification



Formerly A. O. Smith Electrical Products Company

OEM REPLACEMENT FOR COPELAND CONDENSER FANS

Stock No. **OCP0250**
Copeland Part No. 050-0250-00



Replacement For:

- Emerson 6129
- Copeland 050-0250-00
- Century 322P914

Stock No. **OCP0251**
Copeland Part No. 050-0251-00



Replacement For:

- Emerson 6128
- Copeland 050-0251-00
- Century 322P913

Replacement For Both:

- Direct OEM Replacement; No Modification Required
- Resilient Base Mount
- 50/60 HZ
- PSC with Mounted Capacitor
- Reliable Sleeve Bearings
- See Reverse Side for Outline Drawings

Stock No.	HP	Volts	RPM	Speeds	Frame	Amps	SF	Rotation	Wt.
OCP0250	1/4	230	1400/1625	1	42Y	1.5	1.0	CWLE	12
OCP0251	1/6	230	1400/1625	1	42Y	1.5	1.0	CWLE	11

NOW AVAILABLE!
FAX OR PHONE YOUR ORDER TODAY!



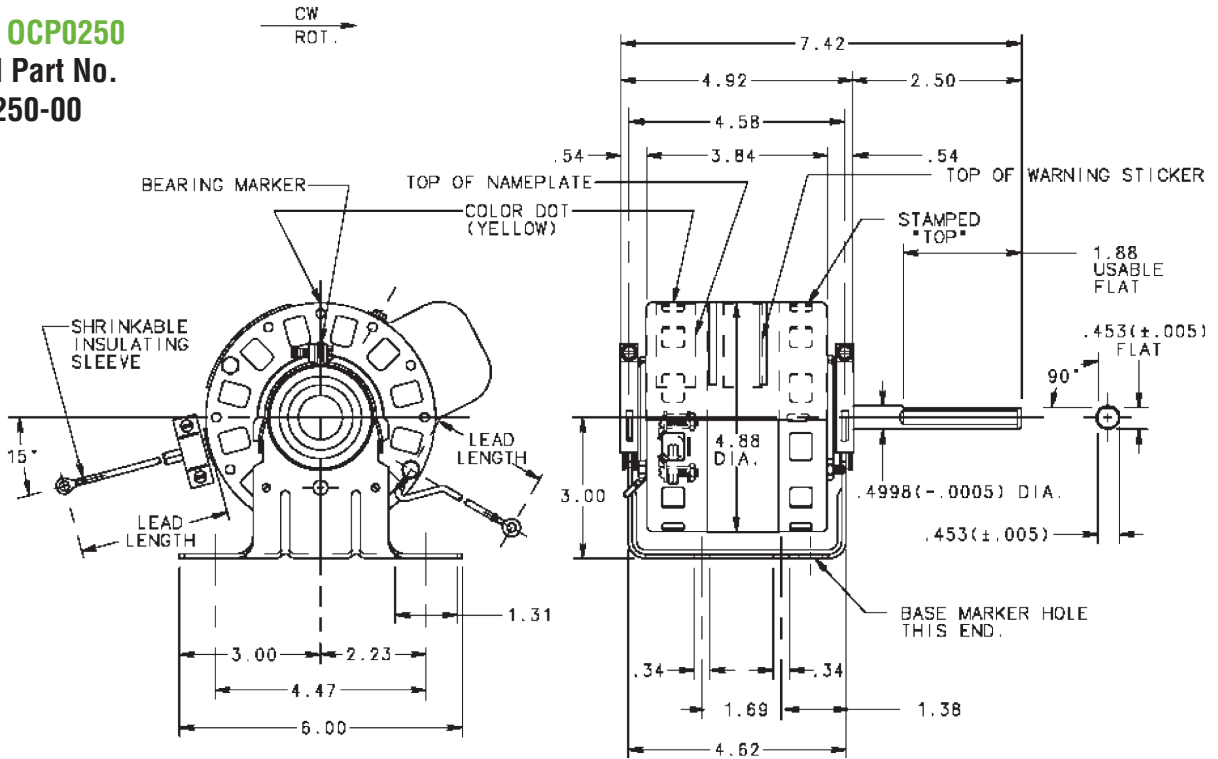
Universal Electric Motors
6200 Dixie Road, Unit 1
Mississauga, Ontario, L5T 2E1
Tel: (905) 670-3380
Toll Free: 1-877-670-3380
Fax: (905) 670-7637 www.uem.ca

A Regal Brand



LINE DRAWINGS OEM REPLACEMENT FOR COPELAND CONDENSER FANS

Stock No. OCP0250
Copeland Part No.
050-0250-00



Stock No. OCP0251
Copeland Part No.
050-0251-00

