

# New Product Notification



Formerly A. O. Smith Electrical Products Company

## OEM REPLACEMENT MOTOR "For Krack Condenser Fans"



Stock No. **OKR1096**

Krack No. 11096

Replacement for:

Krack 11096

Magnetek/Century 150372



### Features For Both:

- For Krack Unit DT and ACD
- Direct OEM Replacement;  
No Modifications Required
- Double Sealed Ball Bearings
- Class B Insulation
- 5/8" Diameter Shaft
- Three Phase; Electrically Reversible
- See Reverse Side for Outline Drawings

Stock No. **OKR1503**

Krack No. 11503

Replacement for:

Krack 11503

Magnetek/Century 151437



Stock No.	HP	Volts	Amps	RPM	Frame	SF	Ambient	Overload	Wt.
OKR1096	1/2	460/208-230	.95/2.0-1.9	1140	56Y	1.0	40°C	Auto	25
OKR1503	1	460/208-230	2.0/4.4-4.0	850	56Y	1.0	60°C	Auto	34

**NOW AVAILABLE!  
FAX OR PHONE YOUR ORDER TODAY!**



Universal Electric Motors  
6200 Dixie Road, Unit 1  
Mississauga, Ontario, L5T 2E1  
Tel: (905) 670-3380  
Toll Free: 1-877-670-3380  
Fax: (905) 670-7637 www.uem.ca

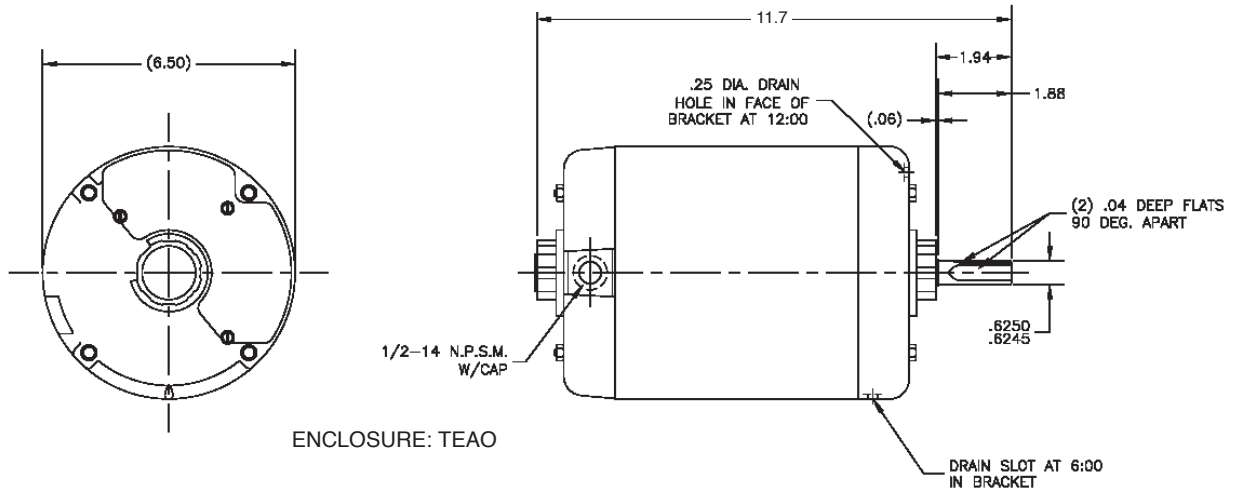
A Regal Brand

**REGAL**

# OEM REPLACEMENT FOR KRACK CONDENSER FANS

STOCK NO. OKR1096

KRACK NO. 11096



# OEM REPLACEMENT FOR KRACK CONDENSER FANS

STOCK NO. OKR1503

KRACK NO. 11503

