

# New Product Notification



Formerly A. O. Smith Electrical Products Company

## OEM REPLACEMENT MOTOR "For Bohn, Larkin, Climate Control and Chandler"



Stock No. 9720A3



### Features:

- Permanent Split Capacitor
- Capacitor Included
- Sleeve Bearing
- Thermally Protected
- 40°C Ambient
- Single Phase
- Insulation Class B
- Lylt two prong plug
- 416 Stainless Steel Shaft
- UL Approved and CSA Certified
- See Reverse Side for Outline Drawing

### Replacement for:

- Refrigeration Evaporator Coils
- Emerson 9656
- Fasco D1125
- Fasco 7190-0442
- Fasco 7190-2084
- OEM Part Numbers:
  - 7071061
  - 25309101

Stock No.	HP	Volts	Amps	RPM	Speeds	Frame	SF	HZ	Rotation	Wt.
9702A	1/12	208-230	0.5	1550/1400	1	3.3	1.0	60/50	CCWSE	4.75

**NOW AVAILABLE!**  
**FAX OR PHONE YOUR ORDER TODAY!**



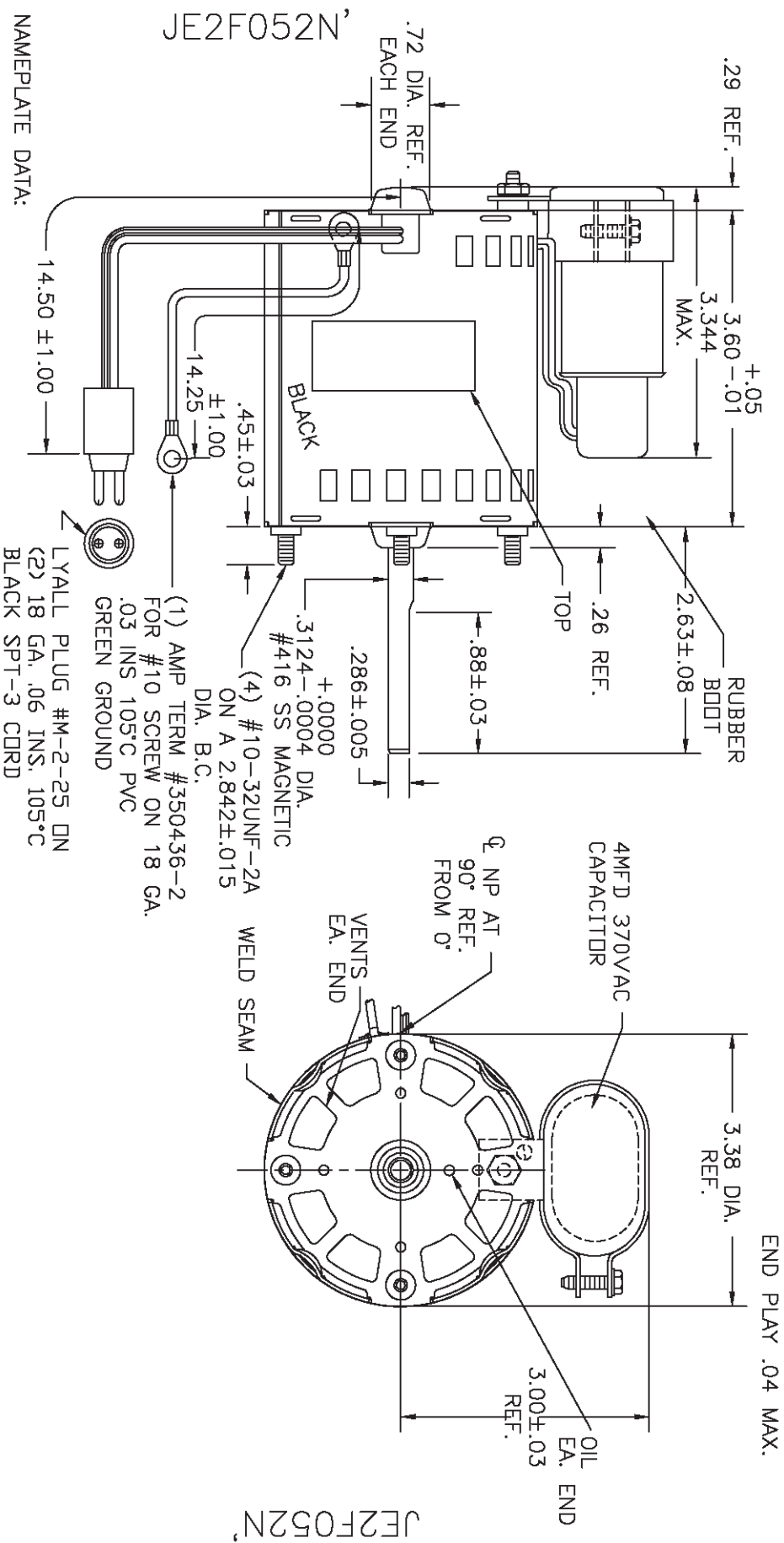
Universal Electric Motors  
6200 Dixie Road, Unit 1  
Mississauga, Ontario, L5T 2E1  
Tel: (905) 670-3380  
Toll Free: 1-877-670-3380  
Fax: (905) 670-7637 www.uem.ca

A Regal Brand



# DEM REPLACEMENT FOR BOHN, LARKIN, CLIMATE CONTROL AND CHANDLER

Stock No. 9702A



# New Product Notification



Formerly A. O. Smith Electrical Products Company

## HEATCRAFT REPLACEMENT MOTORS BOHN, CHANDLER, CLIMATE CONTROL AND LARKIN

**3-in-1™**  
Replaces 1/12, 1/15, 1/20 HP  
PSC and Low Efficient  
Shaded Pole Designs



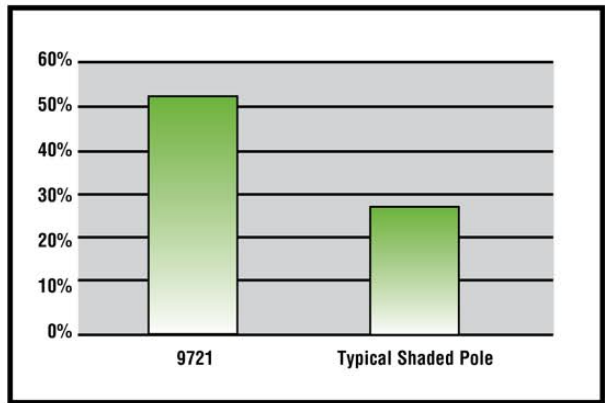
**ENERGY  
SAVINGS  
PSC  
DESIGN**

50% More Efficient than Shaded Pole Motors

Use of a permanent split capacitor design allows the motor to deliver more power with a lower amp draw. Cooler operation results in fewer failures. Ball bearings provide smooth, quiet operation and extended motor life.

**Features:**

- ✓ Easy-to-Read Connection Diagram Attached to White Lead Wire
- ✓ Now! Four Studs on Each End
- ✓ 40°C Ambient
- ✓ Class B Insulation
- ✓ UL and CSA Recognized
- See Reverse Side for Outline Drawing and Additional Heatcraft Replacement Motors



\$ Less efficient shaded pole motors are often used in original equipment to cut costs. While they do allow some small savings in purchase price, the savings are quickly eaten up in electric bills at today's high power costs.

Stock No.	HP	Volts	Amps	RPM	Speeds	Frame	SF	HZ	Rotation	Wt.
9721•\$	1/12	115/208-230	1.1/0.5	1550	1	3.3"	1.0	60/50	Rev.	4.75

•Ball Bearing      \$ Energy Efficient



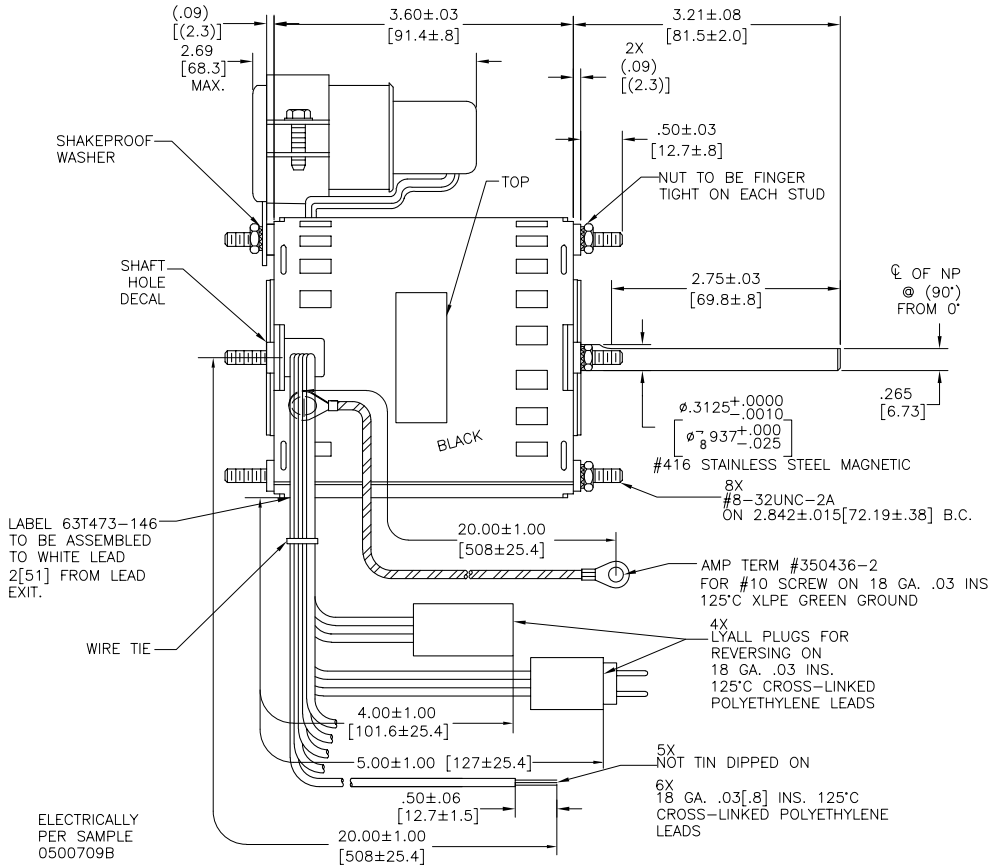
Universal Electric Motors  
6200 Dixie Road, Unit 1  
Mississauga, Ontario, L5T 2E1  
Tel: (905) 670-3380  
Toll Free: 1-877-670-3380  
Fax: (905) 670-7637

A Regal Brand



# Heatcraft Replacement Motors Bohn, Chandler, Climate Control and Larkin

Stock No. 9721



## Replacement for:

- **Emerson** 9650, 9651, 9652, 9653, 9656, 9664
- **Fasco** D1101, D1103, D1122, D1123, D1124, D1125, D1126, D1127, D1152, D1154, PD1125, PD1127, 7163-2113, 7163-3371 7190-0442, 7190-2084 7190-2255, 7190-2285 7190-2969
- **GE** 5KSM59ES2001 5KSM59JSK143S 5KSM59JS5036S 5KSM59LS2262AS
- **OEM Part Numbers**  
25308601, 25309101 2531194, 2531195 7071061

## Additional Heatcraft Replacement Motors Bohn, Chandler, Climate Control and Larkin



HP	RPM	Speeds	Volts	Amps	Stock No.	Rot.	Capacitor	Shaft Diameter & Length	Motor Dia.	"A" Dim.	Cross Reference	Notes
1/20	1550	1	115	1.9	572A	CCWLE	Shaded Pole	5/16" x 3"	3-3/8"	3"	5034LS, 5008SS	4
1/15	1550	1	208-230	1.3	573A	CCWLE	Shaded Pole	5/16" x 3"	3-3/8"	3-5/8"	5034MS, 5008TS	4
1/20	1550	1	115	1.6	574	CWLE	Shaded Pole	5/16" x 2-1/2"	3-3/8"	2-3/4"	253-1194	4
1/20	1550	1	208-230	.81	575	CWLE	Shaded Pole	5/16" x 2-1/2"	3-3/8"	2-3/4"	253-1195	4
1/12	1550/1400	1	208-230	0.5	9720A	CWLE	Included	5/16" x 2-5/8"	3-3/8"	3-5/8"	D1125, 7190-0442 4,150 7190-2084, 9656 7071061, 25309101	
1/2	1075	1	208-230	4.8	992*	REV	Included	1/2" x 2-3/4"	5-5/8"	6-3/4"	5KCP39PGH728T S88-667 SCS0500H1-CPM120-3 D863	

- Notes:**  
4. Supplied with Lead and Plug Assembly  
150. Rated 50/60 Hz  
• Ball Bearing

