

DIRECT OEM REPLACEMENT MOTOR "For Copeland Condensing Units"



Stock No. OCP0108
Copeland 050-0108-00
Copeland 050-0018-00



**Rugged
Ball Bearings!**

Features:

- Direct OEM Replacement
- Permanent Split Capacitor
- Capacitor Included
- Ball Bearing
- Thermally Protected
- 50°C Ambient
- Single Phase
- Insulation Class A
- Enclosed, Air Over
- Resilient Base
- UL and CSA Approved
- See Reverse Side for Outline Drawing

Replacement for:

- Copeland 050-0108-00
- Copeland 050-0018-00
- Emerson 6127
- Emerson K55ECE2645
- Emerson K55HXJNJ-2976
- Emerson K55HXSZJ-8106
- GE 3124
- GE 5KCP32KG175S
- GE 5KCP32KG259S
- GE 5KCP39KGB906AS
- GE 5KCP39KGB9063AT

Stock No.	HP	Volts	Amps	RPM	Speeds	Frame	SF	HZ	Rotation	Wt.
OCP0108	1/3	208-230	2.6	1625	1	48	1.0	50/60	CWLE	15.0

**NOW AVAILABLE!
FAX OR PHONE YOUR ORDER TODAY!**



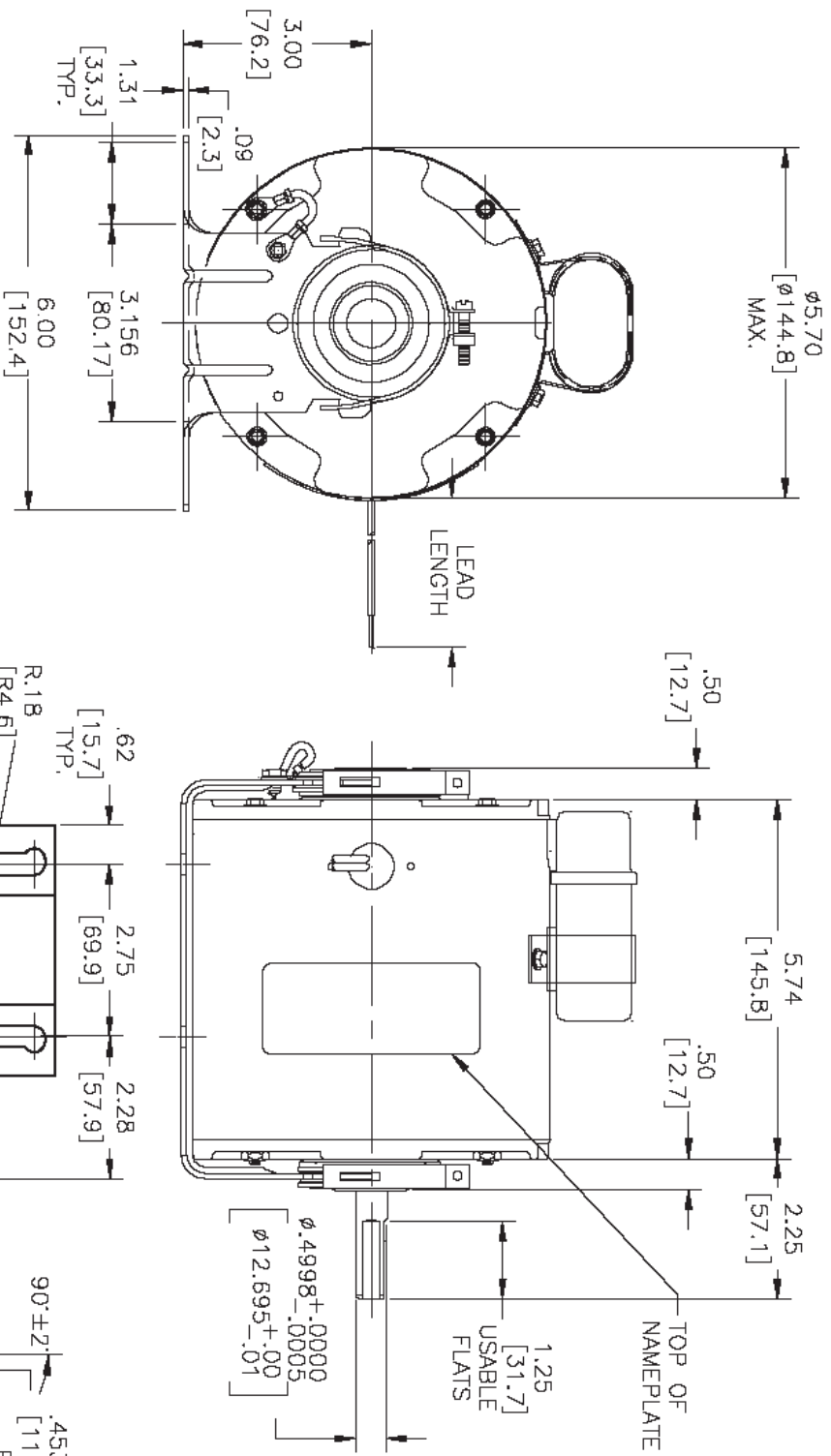
Universal Electric Motors
6200 Dixie Road, Unit 1
Mississauga, Ontario, L5T 2E1
Tel: (905) 670-3380
Toll Free: 1-877-670-3380
Fax: (905) 670-7637 www.uem.ca

A Regal Brand

REGAL

DEM REPLACEMENT FOR COPELAND

Stock No. 0CP0108



NOTE:

- (1) CONDUIT CONNECTOR 164P154-2
- (2) SCREWS 21P91-37
- (1) STOP PLATE 46P111-1

PUT IN POLYBAG & BE PACKED WITH EACH MOTOR