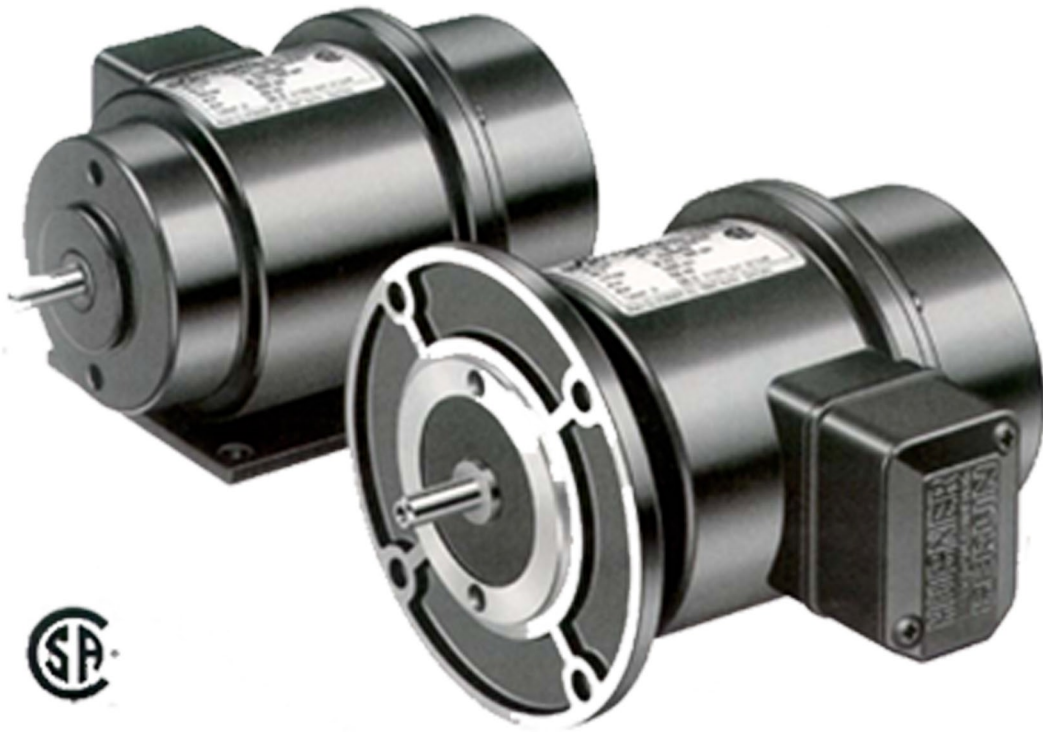




ELECTRIC MOTORS

Universal Electric Motors

HUBNER BERLIN



APY - FAPY
LongLife DC Tachometers

 facebook.com/universalelectricmotors

 twitter.com/UEM_ca

 www.uem.ca



UNIVERSAL ELECTRIC MOTORS

Division of 1279311 ONTARIO INC.
6200 Dixie Road, Unit 1, Mississauga Ontario, L5T 2E1
Tel: (905) 670-3380 - Toll Free: 1-877-670-3380
WWW.UEM.CA - INFO@UEM.CA



ELECTRIC MOTORS

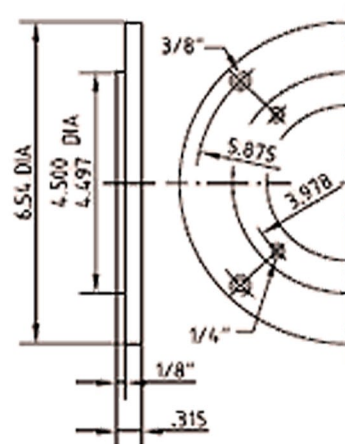
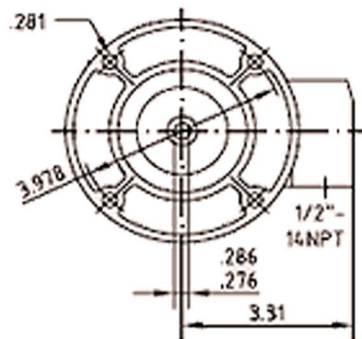
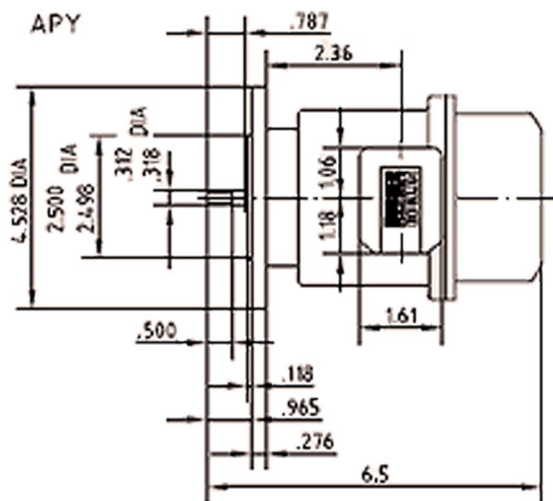
Universal Electric Motors

APY - FAPY TACHOMETERS

LongLife DC Tachometers in industrial NEMA 12 housings are available with flange or foot mount for direct replacement of "PY" or "BC" style tachometers. These tachometers are CSA / NRTL / C approved. 50 or 100 V DC / krpm outputs are available with regulation of 1 % or .1 % for precise speed control in all applications.

HÜBNER, Europe's leading technological manufacturer of tachometers, presents the LongLife Technology, resulting in the best tachometers available in the world. A patented design and process imbeds a silver track in the commutator. The result is high precision output, low ripple and a brush/commutator life that exceeds that of the precision ball-bearings (109 revolutions).

Type	no-load voltage 1000 rpm	max. load current	max. speed rpm	Enclosure	Temperature range
APY 50	50 V	80 mA	10 000	P 55	-30 °C ...+130 °C
APY 100	100 V	40 mA	6 000		
FAPY 50	50 V	80 mA	10 000		
FAPY 100	100 V	40 mA	6 000		



BC Adapter

