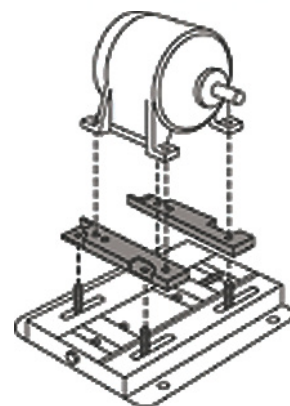
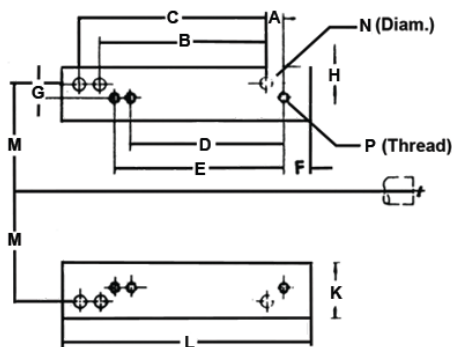


NEMA Transition Bases



Part Number	Former NEMA	New NEMA	O.A. Height	A	B	C	D	E	F	G	H	K	L	M	N	P
1814T	182	143T	1	1/2	4-1/2		4		3/4	1	1/2	2-1/4	7-1/2	3-3/4	7/16	5/16-18
	182	145T	1	1/2	4-1/2			5	3/4	1	1/2	2-1/4	7-1/2	3-3/4	7/16	5/16-18
	184	143T	1	1/2		5-1/2	4		3/4	1	1/2	2-1/4	7-1/2	3-3/4	7/16	5/16-18
	184	145T	1	1/2		5-1/2		5	3/4	1	1/2	2-1/4	7-1/2	3-3/4	7/16	5/16-18
2118T	213	182T	3/4	1	5-1/2		4-1/2		1	1/2	5/8	1-7/8	9-1/2	4-1/4	7/16	3/8-16
	213	185T	3/4	1	5-1/2			5-1/2	1	1/2	5/8	1-7/8	9-1/2	4-1/4	7/16	3/8-16
	215	182T	3/4	1		7	4-1/2		1	1/2	5/8	1-7/8	9-1/2	4-1/4	7/16	3/8-16
	215	185T	3/4	1		7		5-1/2	1	1/2	5/8	1-7/8	9-1/2	4-1/4	7/16	3/8-16
25U21T	254U	213T	1	1-1/8	8-1/4		5-1/2		1	3/4	3/4	2-1/2	13	5	9/16	3/8-16
	253U	215T	1	1-1/8	8-1/4			7	1	3/4	3/4	2-1/2	13	5	9/16	3/8-16
	256U	213T	1	1-1/8		10	5-1/2		1	3/4	3/4	2-1/2	13	5	9/16	3/8-16
	256U	215T	1	1-1/8		10		7	1	3/4	3/4	2-1/2	13	5	9/16	3/8-16
28U25T	284	254T	3/4	1-3/8	9-1/2		8-1/4		1-1/4	1/2	3/4	2-1/2	14-1/2	5-1/2	9/16	1/2-13
	284U	256T	3/4	1-3/8	9-1/2			10	1-1/4	1/2	3/4	2-1/2	14-1/2	5-1/2	9/16	1/2-13
	286U	254T	3/4	1-3/8		11	8-1/4		1-1/4	1/2	3/4	2-1/2	14-1/2	5-1/2	9/16	1/2-13
	286U	256T	3/4	1-3/8		11		10	1-1/4	1/2	3/4	2-1/2	14-1/2	5-1/2	9/16	1/2-13
32U28T	324U	284T	1	1-1/2	10-1/2		9-1/2		1-1/2	3/4	3/4	3	16	6-1/4	11/16	1/2-13
	324U	286T	1	1-1/2	10-1/2			11	1-1/2	3/4	3/4	3	16	6-1/4	11/16	1/2-13
	326U	284T	1	1-1/2		12	9-1/2		1-1/2	3/4	3/4	3	16	6-1/4	11/16	1/2-13
	326U	286T	1	1-1/2		12		11	1-1/2	3/4	3/4	3	16	6-1/4	11/16	1/2-13
36U32T	364U	324T	1	1-3/4	11-1/4		10-1/2		1-3/4	3/4	3/4	3-1/2	16-3/4	7	11/16	5/8-11
	364U	326T	1	1-3/4	11-1/4			12	1-3/4	3/4	3/4	3-1/2	16-3/4	7	11/16	5/8-11
	365U	324T	1	1-3/4		12-1/4	10-1/2		1-3/4	3/4	3/4	3-1/2	16-3/4	7	11/16	5/8-11
	365U	326T	1	1-3/4		12-1/4		12	1-3/4	3/4	3/4	3-1/2	16-3/4	7	11/16	5/8-11
40U36T	404U	364T	1	2	12-1/4		11-1/4		2	1	1-1/4	4	18-3/4	8	13/16	5/8-11
	404U	365T	1	2	12-1/4			12-1/4	2	1	1-1/4	4	18-3/4	8	13/16	5/8-11
	405U	364T	1	2		13-3/4	11-1/4		2	1	1-1/4	4	18-3/4	8	13/16	5/8-11
	405U	365T	1	2		13-3/4		12-1/4	2	1	1-1/4	4	18-3/4	8	13/16	5/8-11
44U40T	444U	404T	1	2-1/4	14-1/2		12-1/4		2-1/4	1	1-1/4	4	22	9	13/16	3/4-10
	444U	405T	1	2-1/4	14-1/2			13-3/4	2-1/4	1	1-1/4	4	22	9	13/16	3/4-10
	445U	404T	1	2-1/4		16-1/2	12-1/4		2-1/4	1	1-1/4	4	22	9	13/16	3/4-10
	445U	405T	1	2-1/4		16-1/2		13-3/4	2-1/4	1	1-1/4	4	22	9	13/16	3/4-10
44U36T	444U	364T	2	4-3/8	14-1/2		11-1/4		2-1/8	2	1	4-3/4	24	9	13/16	5/8-11
	444U	365T	2	4-3/8	14-1/2			12-1/4	2-1/8	2	1	4-3/4	24	9	13/16	5/8-11
	445U	364T	2	4-3/8		16-1/2	11-1/4		2-1/8	2	1	4-3/4	24	9	13/16	5/8-11
	445U	365T	2	4-3/8		16-1/2		12-1/4	2-1/8	2	1	4-3/4	24	9	13/16	5/8-11

Dimensions are in inches